

# JKS<sup>®</sup>

## Installation Instructions



Product: **HD X-Member**

Part Number: **PN OGS400 / OGS420**

Application: **Cherokee XJ, 1984-01**

### Welcome

CONGRATULATIONS on purchasing a new HD X-Member from JKS Manufacturing. We are committed to providing you with the best products available and your satisfaction is our first priority.

PLEASE READ these instructions carefully, as they contain important installation information.

### Important

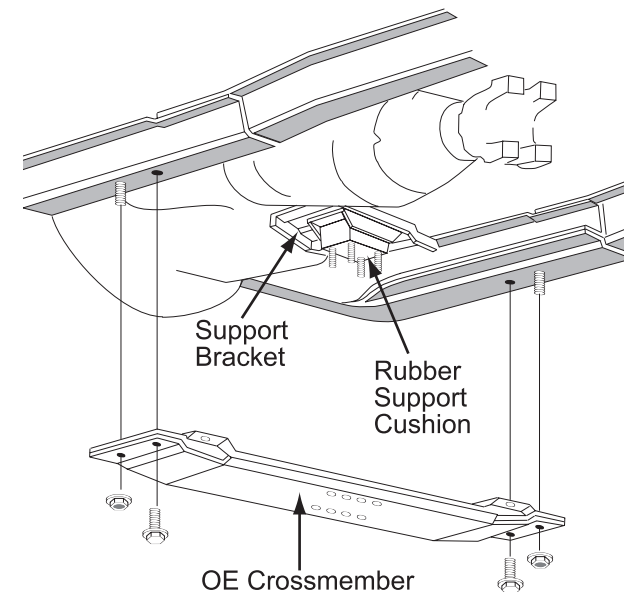
**VEHICLE MUST BE EQUIPPED** with the correct rubber support cushion and support bracket assembly before HD X-Member can be installed – see section 3 for details.

### Tools Required

- Hydraulic Floor Jack & Jack Stands
- Metric/Standard Socket Wrench Set
- Torque Wrench
- Tape Measure
- Factory Service Manual (recommended)

### Installation

- 1. REMOVE OE SKID PLATE**
  - Determine if vehicle is equipped with a factory transfer case skid plate. Continue with next step if equipped, otherwise skip to section 2.
  - Support the skid plate and remove the bolts that attach it to the OE crossmember and chassis rail.
  - Remove the transfer case skid plate from vehicle. Discard skid plate and hardware.
- 2. REMOVE OE CROSSMEMBER**
  - Remove the four (4) nuts that attach the OE crossmember to the rubber support cushion. Retain the nuts for reinstallation.
  - Position a hydraulic jack in a safe location beneath the transmission. Carefully raise the jack until the crossmember is completely relieved of the drivetrain load, and support the transmission with a jack stand.
  - With the drivetrain safely secured, support the crossmember and remove the nuts and bolts that attach it to the chassis rails.
  - Remove the OE crossmember from vehicle and discard, but retain the original hardware.

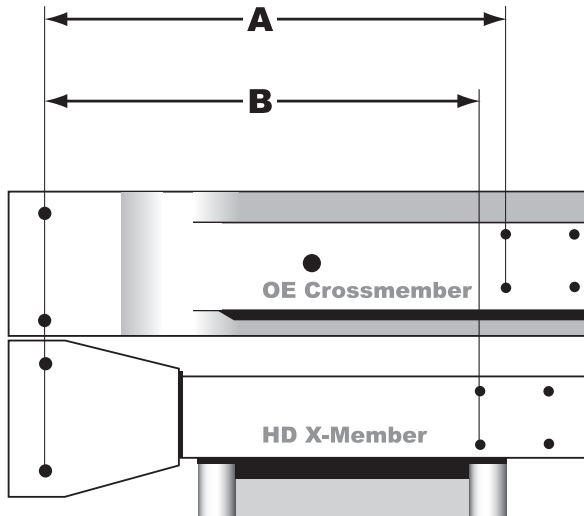


### ❑ 3. CONFIRM THAT VEHICLE IS EQUIPPED WITH CORRECT SUPPORT CUSHION ASSEMBLY

- If installing product on 2000-01 models, it may be necessary to replace the rubber support cushion and support bracket with parts from a 1999 or earlier model. The slightly different assembly used on some later vehicles is not compatible with the HD X-Member. Replacement with a compatible support cushion and bracket assembly from a 1999 or earlier model must be performed before HD X-Member can be installed.

**To determine if your support cushion assembly is compatible, measure the OE crossmember as indicated below.**

A distance of 16-5/8" (**A**) indicates that the vehicle is equipped with the incompatible support cushion assembly, whereas a distance of 15-5/8" (**B**) indicates a compatible support cushion assembly.



### ❑ 4. INSTALL HD X-MEMBER

- Support the HD X-Member beneath the vehicle in the same location as the OE crossmember.  
*HINT: Skid plate must face rear of vehicle.*
- Align mounting flanges of HD X-Member with original mounting holes in chassis rails. Install original hardware and tighten to 31 ft-lbs. using a torque wrench.
- Carefully lower the hydraulic jack and align threaded studs of support cushion with holes in HD X-Member.
- Install the original nuts and tighten to 16 ft-lbs. using a torque wrench.

© 2009 JKS Manufacturing, Inc & Aftermarketing, LLC  
Revision Date 8/21/2009